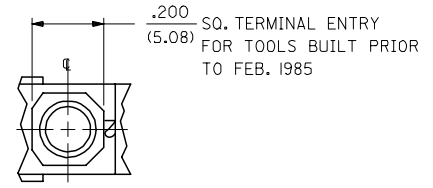
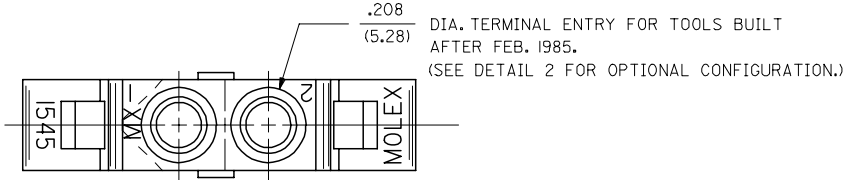


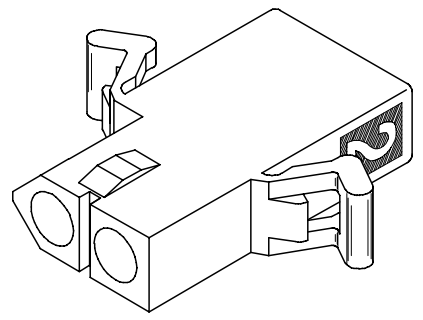
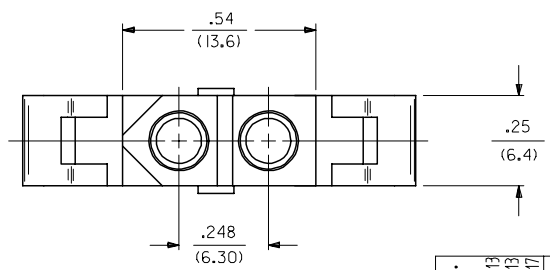
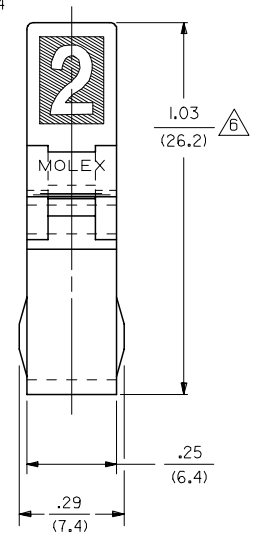
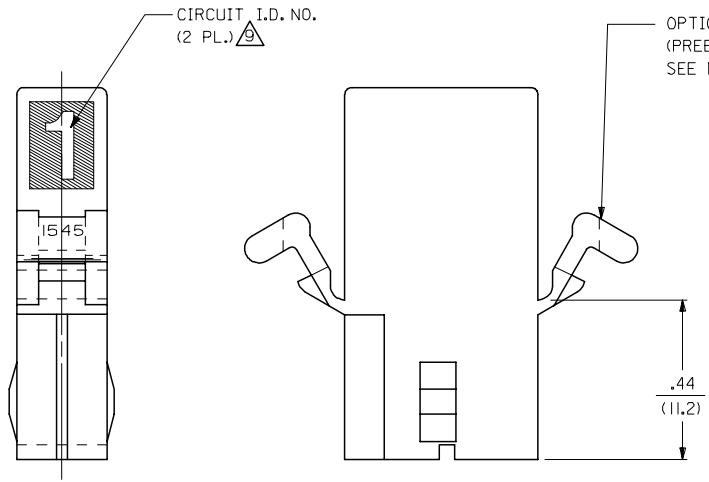
13 12 11 10 9 8 7 6 5 4 3 2 1

J  
I  
H  
G  
F  
E  
D  
C  
B  
A

J  
I  
H  
G  
F  
E  
D  
C  
B  
A



DETAIL "2"



RECEPTACLE

UPDATED NOTE REF. FC NO: UCP2006-2303 DRAWN/PRI/DOR 2006/04/13 CHKD: AEL/HAG 2006/04/13 APPR: FSM/TH 2006/04/17	QUALITY SYMBOLS = 0 = 0	GENERAL TOLERANCES (UNLESS SPECIFIED)		DIMENSION STYLE IN/MM		SCALE 4:1	DESIGN UNITS INCH	THIRD ANGLE PROJECTION			
		4 PLACES ± --- ± ---	mm INCH	DRAWN BY GEP	DATE 8/9/88	TITLE .093 DIA. HOUSING PLUG & RECEPTACLE 2 CKT., .248/(6.30) CTR.					
		3 PLACES ± --- ± .010		CHECKED BY RW	DATE 8/9/88	MOLEX INCORPORATED					
		2 PLACES ± 0.25 ± .014 1 PLACE ± 0.35 ± --- ANGULAR ± 1 °		APPROVED BY RAS	DATE 8/9/88	MATERIAL NO. SEE CHART		DOCUMENT NO. SD-1545-*	SHEET NO. 2 OF 3		
DRAFT WHERE APPLICABLE MUST REMAIN WITHIN DIMENSIONS		SIZE 		THIS DRAWING CONTAINS INFORMATION THAT IS PROPRIETARY TO MOLEX INCORPORATED AND SHOULD NOT BE USED WITHOUT WRITTEN PERMISSION							

12 11 10 9 8 7 6 5 4 3 2 1

**PLUG**

PART NO.	ENG. NO.
03-09-2021	I545-P
03-09-2022	I545-P1
03-09-7021	I545-PBK
03-09-7022	I545-PIBK
03-09-2023	I545-P2
03-09-7024	I545-PIRD
03-09-7023	I545-PIBU
50-36-1686	I545-P1-1

**RECEPTACLE**

PART NO.	ENG. NO.
03-09-6021	I545-R3BK
03-09-6023	I545-R3RD
03-09-6024	I545-R3BU
03-09-1022	I545-R1
03-09-1023	I545-R2
03-09-6025	I545-RIBU
03-09-1027	I545-R3
50-36-1685	I545-R1-1

**LEGEND : PLUG**

1545-P\*\*\*-\*

OPTIONS: \_\_\_\_\_

BLANK = WITH STD. EARS  
 1 = WITHOUT EARS  
 2 = WITH PREBENT EARS

COLOR: BLANK=NATURAL COLOR  
 AM=AMBER BK=BLACK BU=BLUE  
 BN=BROWN GY=GRAY GN=GREEN  
 OR=ORANGE RD=RED YW=YELLOW

BLANK = MATERIAL CODE A  
 1 = MATERIAL CODE B

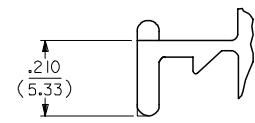
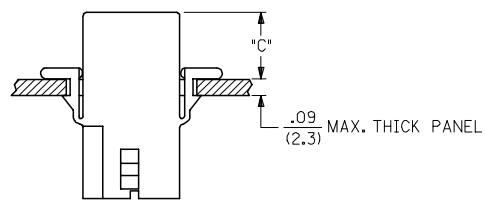
**LEGEND : RECEPTACLE**

1545-R\*\*\*-\*

BLANK = WITH STD. EARS & RAMPS  
 1 = WITHOUT EARS, WITH RAMPS  
 2 = WITHOUT EARS, WITHOUT RAMPS  
 3 = WITH PREBENT EARS & RAMPS

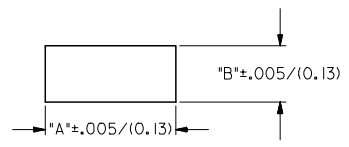
COLOR: BLANK=NATURAL COLOR  
 AM=AMBER BK=BLACK BU=BLUE  
 BN=BROWN GY=GRAY GN=GREEN  
 OR=ORANGE RD=RED YW=YELLOW

BLANK = MATERIAL CODE A  
 1 = MATERIAL CODE B



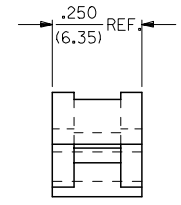
**DETAIL 3**

.093/(2.36) STANDARD MOUNTING EAR  
 (SCALE 4:1)



**RECOMMENDED PANEL OPENING**  
 (SCALE 2:1)

HOUSING	DIM. "A"	DIM. "B"	DIM. "C" (PREBENT)	DIM. "C" (STD. EAR)
PLUG	.800/(20.32)	.375/(9.53)	.40/(10.2)	.39/(9.9)
RECEPTACLE	.725/(18.42)	.312/(7.92)	.41/(10.4)	.40/(10.2)



**DETAIL 4**

.093/(2.36) PREBENT MOUNTING EAR  
 (SCALE 4:1)

**NOTES:**

- MATERIAL: - A = NYLON, PA66, 94V-2, COLOR: SEE LEGEND.  
 B = UL94V-0, PA6 NYLON, IEC 60335-1, 4TH EDITION  
 GLOW WIRE CAPABLE.
- FINISH: NONE.
- PRODUCT SPECIFICATION: PS-02-09.
- PACKAGING INFORMATION: PK-1545-001
- .97/(24.6) REF. FOR TOOLS BUILT PRIOR TO FEB. 1985.
- 1.00/(25.4) REF. FOR TOOLS BUILT PRIOR TO FEB. 1985.
- RIBS ARE PRESENT ONLY ON PARTS WITH MOUNTING EARS.
- EACH TERMINAL POCKET WILL ACCEPT UP TO:  
 (2) #18 AWG WIRES HAVING 1/32" THK. INSULATION OR  
 (1) #16 AWG WIRE HAVING 1/16" THK. INSULATION OR  
 (1) #16 AWG & (1) #18 AWG WIRE HAVING 1/32" THK. INSULATION .
- CIRCUIT I.D. NUMBERS ON SIDE OF HOUSING APPEAR ON PARTS FROM TOOLS BUILT AFTER 11/25/91.
- PARTS CONFORM TO CLASS 'B' REQUIREMENTS OF COSMETIC SPECIFICATION PS-45499-002 EXCEPT MATERIAL OPTION 'B' MEETS CLASS 'C' REQUIREMENTS FOR SINK AND DISCOLORATION.

ADD MAT'L & P/N'S EC NO: UCP2007-2366 DRWNAELHAG 2007/05/25 CHKD:LSHMT 2007/06/01 APPR:FSM TH 2007/06/04 REVISION DESCRIPTION	QUALITY SYMBOLS	GENERAL TOLERANCES (UNLESS SPECIFIED)	DIMENSION STYLE	SCALE	DESIGN UNITS	THIRD ANGLE PROJECTION
	=0 =0	mm INCH 4 PLACES ± --- ± --- 3 PLACES ± --- ± .010 2 PLACES ± 0.25 ± .014 1 PLACE ± 0.35 ± --- ANGULAR ± 1 °	IN/MM	2:1	INCH	DRAWN BY DATE GEP 8/9/88 CHECKED BY DATE RW 8/9/88 APPROVED BY DATE RAS 8/9/88
	DRAFT WHERE APPLICABLE MUST REMAIN WITHIN DIMENSIONS	SEE CHART	MATERIAL NO.	DOCUMENT NO.	.093/(2.36) HOUSING, PLUG & RECEPTACLE, 2 CKT., .248/(6.30) CTR. MOLEX INCORPORATED	
					SHEET NO. 3 OF 3	

THIS DRAWING CONTAINS INFORMATION THAT IS PROPRIETARY TO MOLEX INCORPORATED AND SHOULD NOT BE USED WITHOUT WRITTEN PERMISSION